

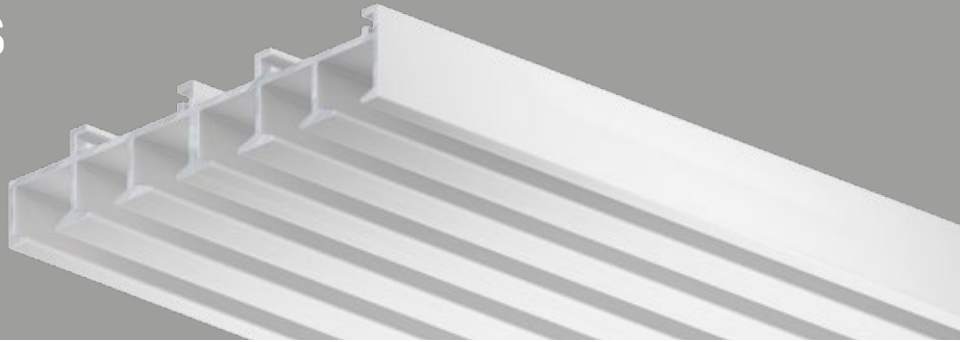


# SLIDE

Panel curtain system



## BENEFITS



### SILENT

SLIDE sets new standards with its running characteristics. Virtually noiseless.

### COMBINABLE

SLIDE offers a tailor-made solution for every room. Two track types - five versions.

### INDIVIDUAL

SLIDE adapts to your personal wishes. Velcro or piping panel track - you have the choice.

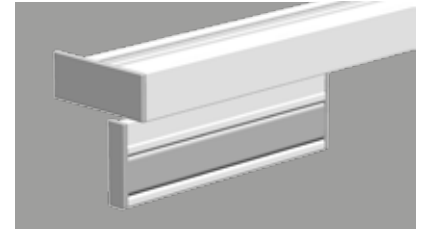
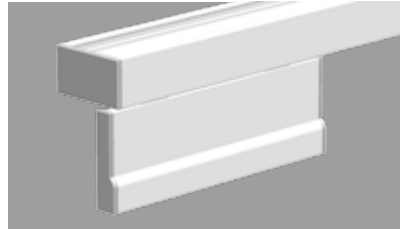
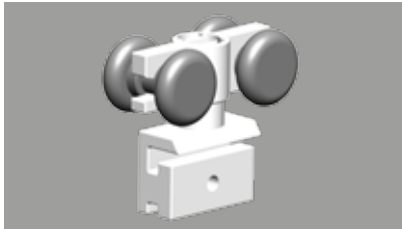
### FLEXIBLE

SLIDE lives up to sophisticated objects and offers boundless design freedom.



# SLIDE

Panel curtain system



## SILENT & INDIVIDUAL

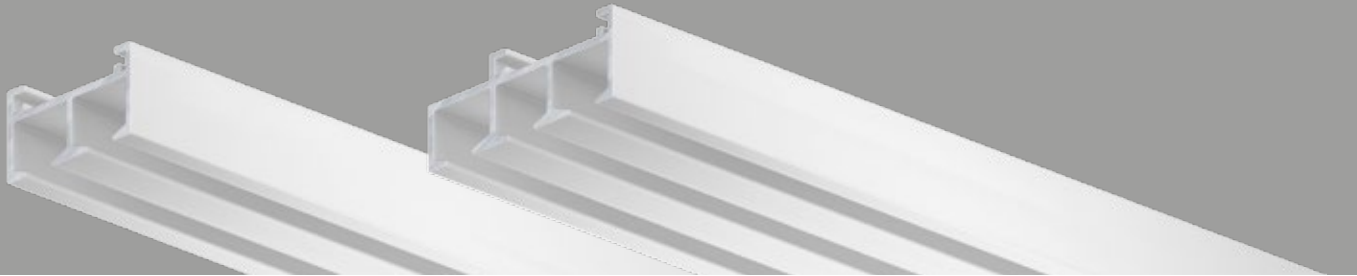
In combination with the newly developed SLIDE roller, the panel tracks travel almost noiselessly in the tracks.

Even heavy fabrics can be moved with elegant ease.

The design-oriented panel tracks provide an ideal connection between the track and panel curtain. With a velcro and a piping version, SLIDE caters to two different decoration styles.

**SLIDE** - the panel curtain system

## TWO TYPES



### SLIDE 1220 | 1230

ELEGANT | VERSATILE | STYLISH

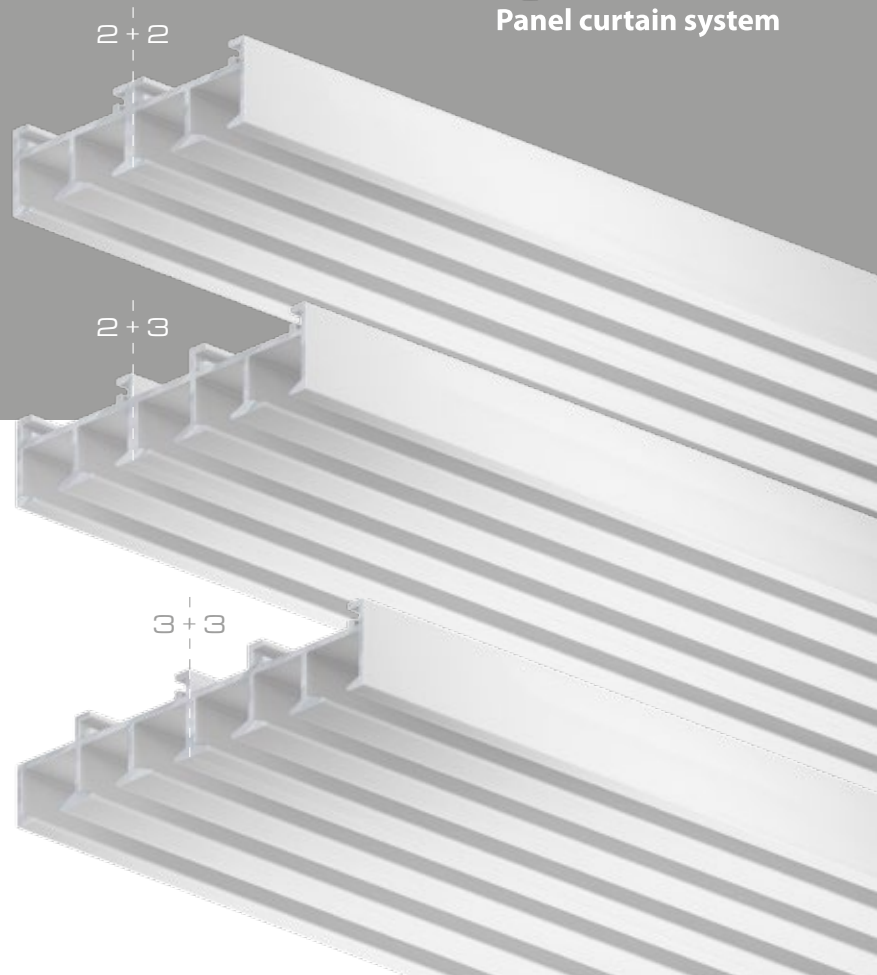
The panel curtain system captivates with its clear design. Sophisticated and puristic - this is what makes the product architecture of SLIDE so convincing. The elegant surface colours in white and aluminium will fit themselves into every modern living space design.

Exclusive or classic – SLIDE is the solution

# SLIDE

Panel curtain system

## FIVE VERSIONS



The SLIDE ceiling clip permits tailor-made solutions for every room. It can be used to conveniently combine the two track types into a four-, five or six-runner track - ingenious and easy at the same time.

**SLIDE - combining made easy**

# SLIDE

Panel curtain system

Authorized specialist dealer